

USER MANUAL



RPT RAPTOR AP Line-Interactive

600 VA – 2000 VA

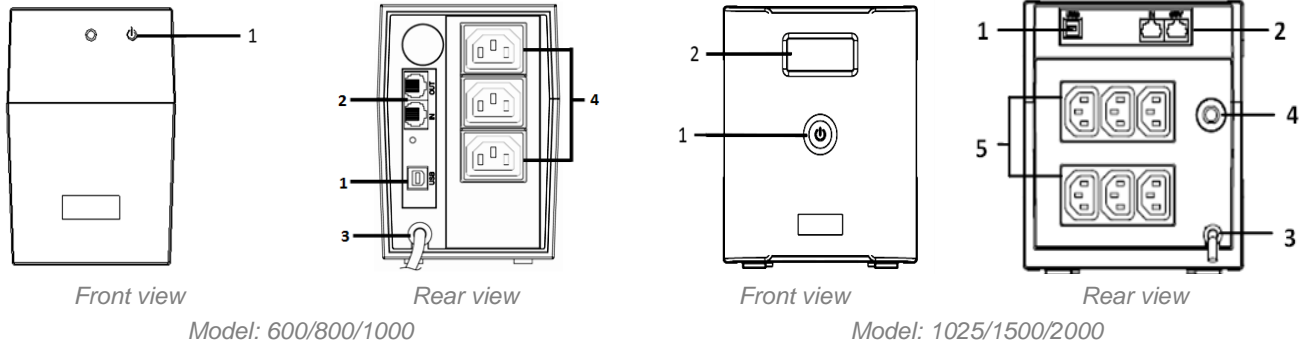
Index

1.	SAFETY INSTRUCTIONS	3
2.	VIEWS	3
2.1.	Description.....	3
2.2.	Display and symbols.....	4
3.	INSTALLATION.....	4
3.1.	Mains power supply	4
3.2.	Connection.....	4
4.	OPERATION.....	4
4.1.	Turn on the UPS	4
4.2.	Turn off the UPS	4
4.3.	Activate eco mode (empty shutdown or light load shutdown)	4
4.4.	Deactivate eco mode	4
5.	ALARM MESSAGES.....	5
5.1.	Battery operation (slow alarm)	5
5.2.	Low battery (quick alarm)	5
5.3.	Overload (permanent alarm).....	5
6.	ALARM AND TROUBLESHOOTING	5
6.1.	Erase alarm	5
6.2.	Troubleshooting help	5
7.	SOFTWARE AND MONITORING.....	6
7.1.	Monitoring-Software.....	6
7.2.	Features of the computer interface	6
7.3.	Smartphone monitoring (for Android and iOS).....	6
8.	TECHNICAL SPECIFICATIONS	7

1. SAFETY INSTRUCTIONS

This manual contains important instructions that must be followed during installation. The device is intended for installation in an interior - temperature-controlled and free of electrically conductive impurities. Battery maintenance should be carried out or monitored by trained personnel with technical knowledge and knowledge of safety measures. The batteries installed in the device pose a serious risk to health and the environment. They must therefore be disposed of in accordance with the applicable statutory provisions.

2. VIEWS



Front view:

1. On / Off button (On/Off/Test/Silence)
 - Turn the UPS on / off
 - Switch economy mode on / off
 - Battery test

Rear view:

1. Remote-Port (USB)
2. Telephone / modem protection
3. Input
4. Output power sockets

Front view:

1. On / Off button (On/Off/Test/Silence)
2. LCD display
 - Turn the UPS on / off
 - Switch economy mode on / off
 - Battery test

Rear view:

1. Remote-Port (USB)
2. Telephone / modem protection
3. Input
4. Breaker
5. Output power sockets

2.1. Description

Model 600-1000 VA

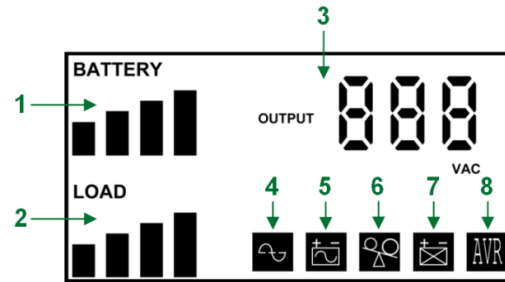
1. **Remote-Port:** The remote port is for USB standard B. It supports connection to Novell, Linux, Unix, Windows and other operating systems.
2. **Telephone / modem protection:** The RJ45 input and output provide surge protection for telecom interfaces.
3. **Input:** The power cord must be connected to the power grid for power input to the UPS. Make sure that the UPS nominal voltage corresponds to the mains voltage. Note: If the UPS is designed with 230 V, it may only be connected with 220 V to 240 V!
4. **Output power sockets:** Recordings provide surge protection and stable backup power for devices.

Model 1025-2000 VA

1. **Remote-Port:** The remote port is for USB standard B. It supports connection to Novell, Linux, Unix, Windows and other operating systems.
2. **Telephone / modem protection:** The RJ45 input and output provide surge protection for telecom interfaces.
3. **Input:** The power cord must be connected to the power grid for power input to the UPS. Make sure that the UPS nominal voltage corresponds to the mains voltage. Note: If the UPS is designed with 230 V, it may only be connected with 220 V to 240 V!
4. **Breaker:** This is for the UPS and to protect the load connected to it when excessive current is drawn from the AC input.
5. **Output power sockets:** The recordings offer surge protection and stable backup power supply for devices.

2.2. Display and symbols

1. Battery capacity (25%, 50%, 75%, 100%)
2. Resilience (25%, 50%, 75%, 100%)
3. Output / output voltage
4. Normal operation
5. Battery operation (backup mode)
6. Overload
7. Battery failure
8. AVR operation



LCD display

3. INSTALLATION

3.1. Mains power supply

The power cord must be connected to the mains for the UPS power input. Please make sure that the UPS nominal voltage corresponds to the mains voltage.

3.2. Connection

Connect the loads to the back of the UPS. Make sure that all plugs are firmly inserted.

4. OPERATION

4.1. Turn on the UPS

For normal mode and battery mode, briefly press the "ON / OFF / TEST / SILENCE" button once until the LED display lights up. Attention: The UPS is delivered with energy saving mode deactivated.

4.2. Turn off the UPS

For normal mode and battery operation, press the "ON / OFF / TEST / SILENCE" button until the signal tone stops and the LED display turns off.

4.3. Activate eco mode (empty shutdown or light load shutdown)

1. Turn on the UPS
2. Hold the "ON / OFF / TEST / SILENCE" button until you hear the signal tone. When you hear the beep, it means that the energy saving mode is switched on.

Warning: If the UPS is operating in normal mode and the energy-saving mode is activated, the UPS is automatically switched off after 2 hours if the battery is fully charged and the load level remains low (below 30 watts). To switch the UPS on again, simply press the "ON / OFF / TEST / SILENCE" button.

If the UPS is operating on battery power and energy saving mode is activated, the UPS will automatically shutdown after 4 minutes if the load level remains low. To turn on the UPS, simply press the "ON / OFF / TEST / SILENCE" button.

4.4. Deactivate eco mode

- 4.5. Turn on the UPS
 - Hold the "ON / OFF / TEST / SILENCE" button until you hear the signal tone. When you hear the beep, it means that the energy saving mode is switched off.

Warning: The UPS is designed with a memory module. (It automatically saves the energy-saving mode when it is switched off). If no switching was carried out manually during the energy-saving mode, it remains as it is. Note: Eco mode can be activated / deactivated via the software.

5. ALARM MESSAGES

5.1. Battery operation (slow alarm)

If the UPS switches to battery operation, the alarm tone is activated. During the first 15 seconds, the audible alarm sounds every 2 seconds. After the 15 seconds, the alarm beeps twice every minute. When the UPS returns to normal mode, the audible alarm stops.

5.2. Low battery (quick alarm)

When the battery capacity drops to a low level (approximately 30% of its capacity), the alarm will sound every 0.5 seconds until the UPS shuts down due to low battery or the UPS returns to normal operation.

5.3. Overload (permanent alarm)

If the UPS is overloaded (the connected consumers exceed the maximum nominal capacity), the UPS continuous alarm is triggered. To protect the UPS and the loads, the UPS switches off automatically after a few seconds.

6. ALARM AND TROUBLESHOOTING

6.1. Erase alarm

- **Standard sleep mode:** To turn off the alarm in battery mode, just press the on / off button once for 3 seconds. To exit the standard sleep mode, press the On / Off button again for one second.
- **Extended sleep mode:** To turn off the alarm in any condition (battery, low battery, overload), press the On / Off button three times in a second. To exit the extended silent mode, please press the On / Off button again three times in a second.
- **Attention:** The standard alarm silence can be set using the UPSMON PRO software. The extended network mode can only be set via UPSMON PRO.
- **Battery test:** Press the On / Off button in mains mode to carry out an automatic battery self-test.
- **Warning:** Do not connect a laser printer or plotter to the UPS and connect it to other electronic devices. The laser printer or plotter requires more energy when in full operation than when it is idle. This can overload the UPS.

6.2. Troubleshooting help

Message / problem	reason	Measure
UPS cannot be switched on; LED does not light up	<ul style="list-style-type: none"> • "ON" button not pressed • Battery voltage less than 10 V • (PCB) electronics failure 	<ul style="list-style-type: none"> • Press the "ON" button again • Charge the UPS for at least 24 hours • Call the service center
UPS always runs on battery	<ul style="list-style-type: none"> • Mains voltage is too high, too low or there was a blackout / power failure • Input power cord is too loose 	<ul style="list-style-type: none"> • Check input voltage • Plug in the power cord
Backup time always 4 min	<ul style="list-style-type: none"> • Load is less than 30W 	<ul style="list-style-type: none"> • Deactivate function „No-load Shut-down“
Backup time is too short	<ul style="list-style-type: none"> • The battery is not fully charged or defective • (PCB) electronics failure 	<ul style="list-style-type: none"> • Charge the UPS for at least 24 hours • Call the service center
Alarm beeps continuously	<ul style="list-style-type: none"> • Overload 	<ul style="list-style-type: none"> • Remove some loads

Troubleshooting help

7. SOFTWARE AND MONITORING

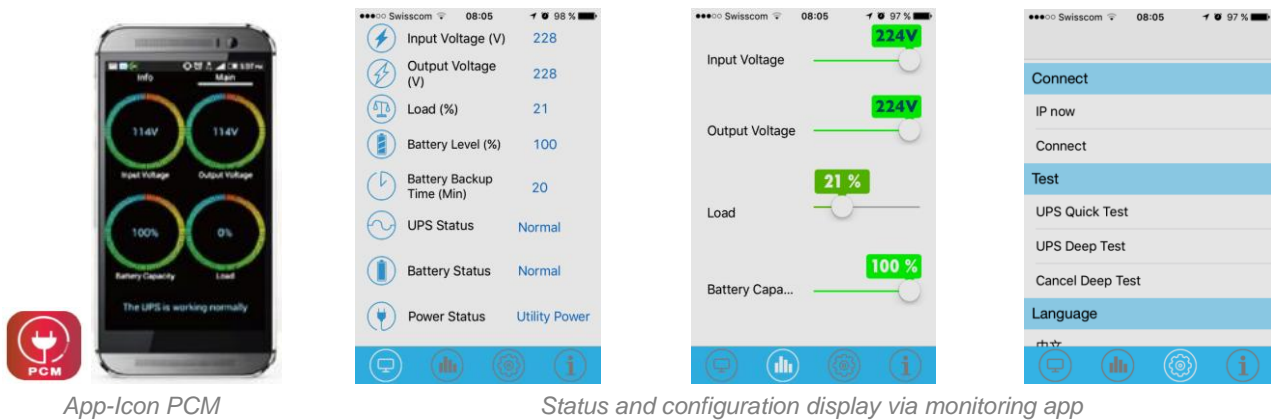
7.1. Monitoring-Software

The UPSMON PRO software is used on the USB interface to perform monitoring functions. It ensures that the computer shuts down properly in the event of a power failure. It also monitors the UPS at the same time and displays all diagnostic information on the monitor such as voltage, frequency and battery level and so on. For the UPS with USB communication port, the software is compatible with Windows XP, 7, 8, Server-2000, 2003, 2008, 2012 and Linux. The UPSMON PRO software can be downloaded free from our website: www.sicotec.ch

7.2. Features of the computer interface

The communication port on the back of the UPS can be connected to the host computer. This port allows the computer to monitor the status of the UPS and control the operation of the UPS. Key features typically include the following: a power failure warning to back up open files before the operating system shuts down and to shutdown the UPS.

7.3. Smartphone monitoring (for Android and iOS)



Configuration page

- IP now:** Displays the IP address entered in the app.
- Connect:** Enter the IP address of the PC on which UPSMON Pro is installed.
- UPS Quicktest:** Short-term battery test
- UPS Deep Test:** Battery test up to (load-dependent) maximum autonomy time.

8. TECHNICAL SPECIFICATIONS

Model	RPT-600AP	RPT-800AP	RPT-1000AP	RPT-1025AP	RPT-1500AP	RPT-2000AP
Capacity (VA)	600	800	1000	1025	1500	2000
Capacity (Watts)	360	480	600	615	900	1200
Form	Tower Type					
Input						
Voltage	100 / 110 / 120 VAC or 220 / 230 / 240 VAC					
Input Voltage Range	75-150 or 165-300 VAC					
Input Frequency Range	50/60 Hz (Auto Sensing)					
Output						
Waveform	Simulated Sine Wave					
Voltage	100 / 110 / 120 VAC or 220 / 230 / 240 VAC					
Frequency	50/60 Hz, ± 1 Hz					
Transfer Time	2-4 ms (Typical)					
Protection						
Full Protection	Overload, Surge, Short Circuit					
Tele Communication	RJ11 / RJ45					
Battery						
Type	12V/7Ah	12V/7.2Ah	12V/9Ah	12V/7Ah	12V/7.2Ah	12V/9Ah
Quantity	1	1	1	2	2	2
Sealed, Maintenance Free	Yes					
Typical Recharge Time	3-4 hr to 90%					
Management & Communication						
Indicator	LED Panel, LCD Panel (Option)					
Communication Port	USB B Type					
Physical						
Dimensions (WxDxH) mm	100 x 278 x 143			147 x 360 x 164		
Weight (kgs)	4.3	4.8	5.4	8.5	10.1	11.1
Shipping Dimensions (mm)	329 x 147 x 227			449 x 233 x 277		
Shipping Weight (kgs)	4.8	5.3	5.9	9.7	11.3	12.3
Alarm						
Overload / Fault	Continuous Beeping					
Battery Mode	Beep every 2 seconds					
Low Battery	Beep every 0.5 seconds					
Environment						
Operating Humidity	0-90% RH at 0-50°C (Non-condensing)					
Audible Noise	Less than 40 dB					

* Specifications are subject to change without further notice.

* Specifications are for reference, actual information should be based on real product.